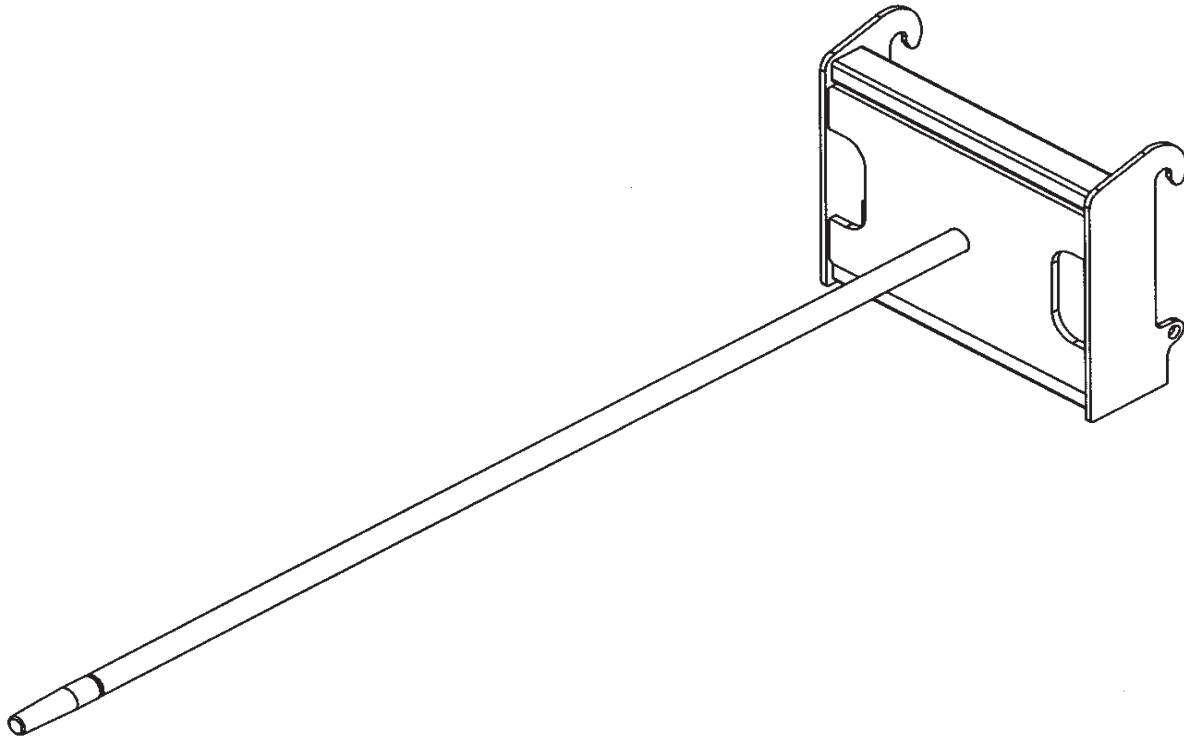


# CARPET RAM

## OPERATOR'S & PARTS MANUAL



PALADIN LIGHT CONSTRUCTION



SERIAL NUMBER: \_\_\_\_\_

MODEL NUMBER: \_\_\_\_\_

Manual Number: 76811

Part Number: 76811

Date: April 1, 2006



## LIMITED WARRANTY

All new Major products are warranted to be free from defects in materials or workmanship which may cause failure under normal usage and service, when used for the purpose intended.

In the event of failure within twelve (12) months from initial retail sale, lease or rental date (excluding cable, ground engaging parts such as sprockets, digging chain, bearings, teeth, tamping and demolition heads, blade cutting edges, pilot bits, auger teeth, auger heads & broom bristles), if after examination, The Major determines failure was due to defective material and/or workmanship, parts will be repaired or replaced. The Major may request defective part or parts be returned prepaid to them for inspection at their place of business at Delhi, Iowa, or to a location specified by The Major.

Any claims under this warranty must be made within fifteen (15) days after the Buyer learns of the facts upon which such claim is based. All claims not made in writing and received by The Major within the time period specified above shall be deemed waived.

**THIS WARRANTY IS IN LIEU OF ALL OTHER WARRANTIES EXPRESSED OR IMPLIED, AND THERE ARE NO WARRANTIES OF MERCHANTABILITY OR OF FITNESS FOR A PARTICULAR PURPOSE. IN NO EVENT SHALL THE MAJOR BE LIABLE FOR CONSEQUENTIAL OR SPECIAL DAMAGE.**

**THE MAJOR'S LIABILITY FOR ANY AND ALL LOSSES AND DAMAGES TO BUYER, RESULTING FROM ANY CAUSE WHATSOEVER, INCLUDING THE MAJOR'S NEGLIGENCE, IRRESPECTIVE OF WHETHER SUCH DEFECTS ARE DISCOVERABLE OR LATENT, SHALL IN NO EVENT EXCEED THE PURCHASE PRICE OF THE PARTICULAR PRODUCTS WITH RESPECT TO WHICH LOSSES OR DAMAGES ARE CLAIMED, OR, AT THE ELECTION OF THE MAJOR, THE REPAIR OR REPLACEMENT OF DEFECTIVE OR DAMAGED PRODUCTS.**



# PARTS

The following section contains detailed diagrams and parts lists which include your attachment. Please use these diagrams and parts lists to locate replacement parts, prior to contacting the parts department.

When servicing your attachment, remember to use only original manufacturer replacement parts. Substitute parts may not meet the standards required for safe, dependable operation.

To facilitate parts ordering, have the model and serial number of your product ready, to ensure that you receive the correct parts for your specific attachment.

The model and serial number for your attachment should be recorded in the space provided on the cover of this manual. This information may be obtained from the serial number identification plate located on your attachment. **See the parts diagram for your attachment for the location.**

**NOTE: Most daily and emergency orders received by 2:00 P.M. will be shipped the same day received, with “Emergency-Machine-Down” orders receiving first priority.**



## PARTS DEPARTMENT

(563) 922-2981

(800) 922-2981

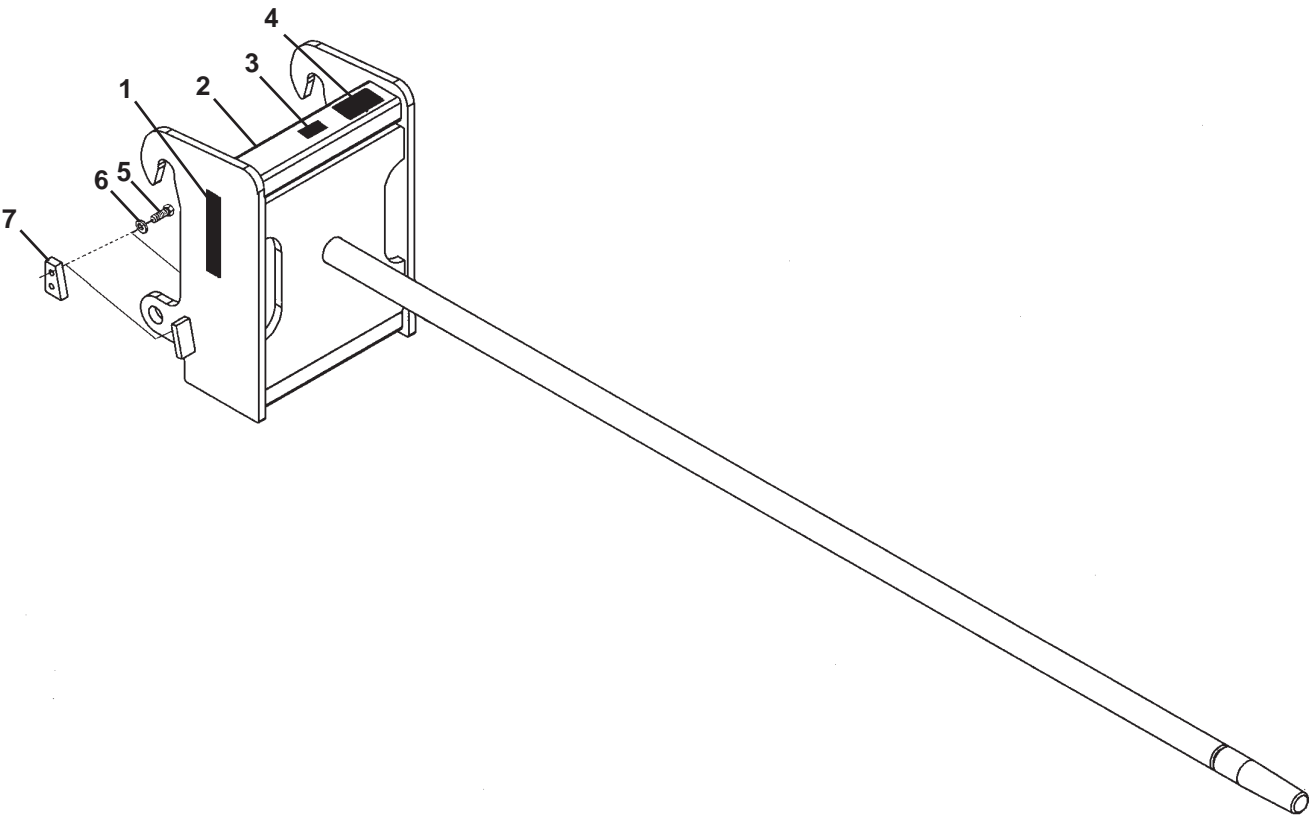
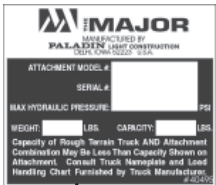
We Encourage Fax Orders

(563) 922-2593

M-1127 10-4-06-2

# CARPET RAM - 12'

ASSEMBLY #12581



# CARPET RAM - 12'

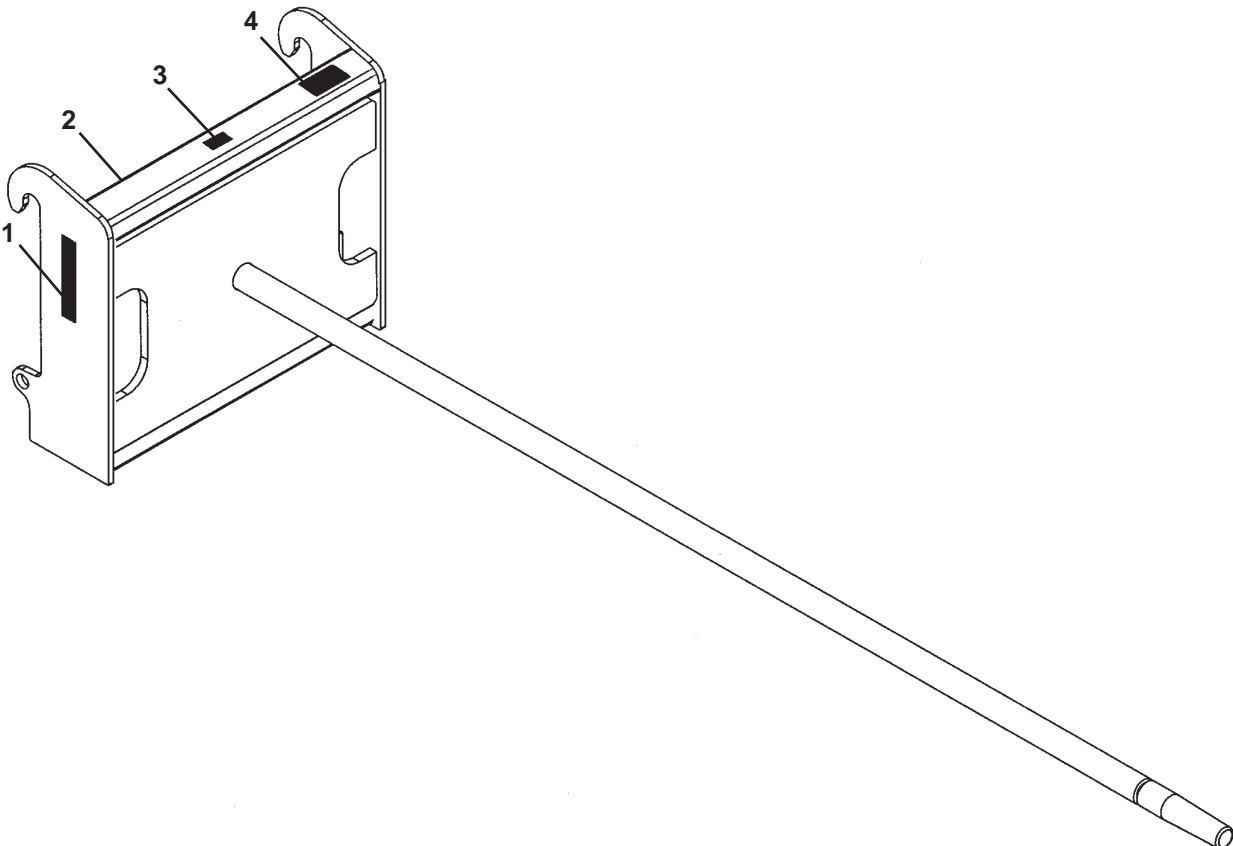
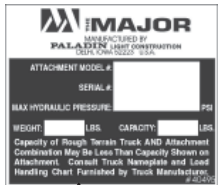
ASSEMBLY #12581

<u>ITEM</u>	<u>QTY.</u>	<u>PART NO.</u>	<u>DESCRIPTION</u>
1	2	40501	Major Logo, Small
2	1	19490	Carpet Ram
3	1	4338	Made in USA Decal
4	1	-----	Serial Number Identification Tag Location
5	4	10012	.75" UNC x 2.25" Hex Capscrew, Grade 8
6	4	1507	.75" Lock Washer
7	2	14228	Stop Block

M-1284 3-29-06

# CARPET RAM - 12'

ASSEMBLY #15344



**CARPET RAM - 12'**  
ASSEMBLY #15344

<u>ITEM</u>	<u>QTY.</u>	<u>PART NO.</u>	<u>DESCRIPTION</u>
1	2	40501	Major Logo, Small
2	1	15345	Carpet Ram
3	1	4338	Made in USA Decal
4	1	-----	Serial Number Identification Tag Location



**P.O. Box 266  
Delhi, IA 52223-0266**

**(563) 922-2981  
(800) 922-2981**

[www.paladinbrands.com](http://www.paladinbrands.com)